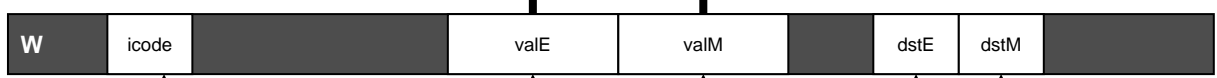
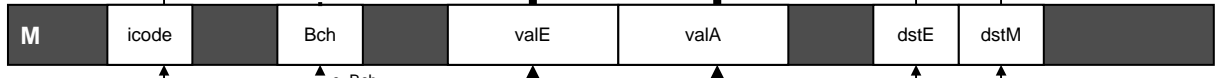
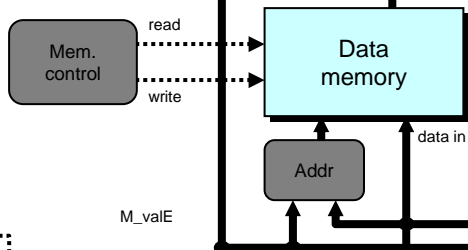


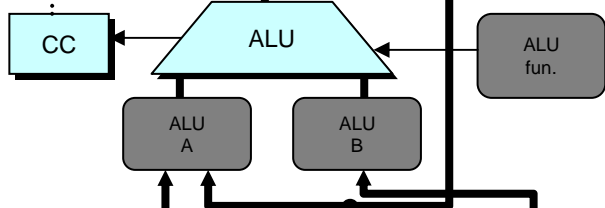
Write back



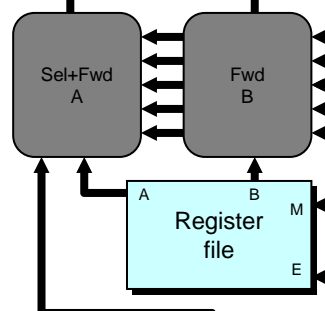
Memory



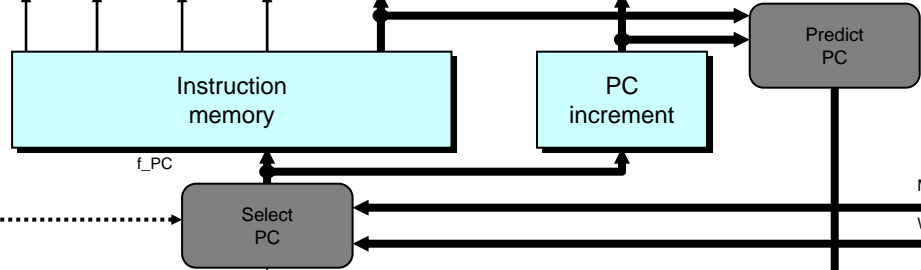
Execute



Decode



Fetch



W_valE

W_valM

M_Bch

M_valE

M_valA

m_valM

e_valE

d_srcA

d_srcB

W_valM

W_valE

M_valA

W_valM