



## MSc Informatics Eng.

2011/12

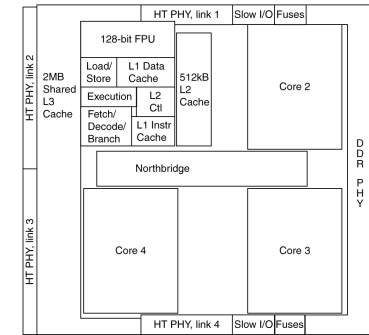
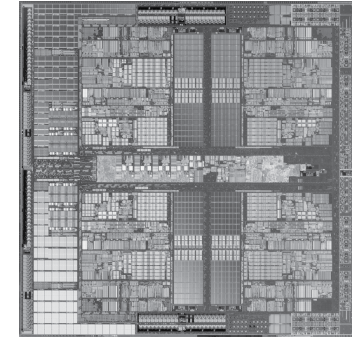
A.J.Proença

### Concepts from undergrad Computer Systems (2)

(most slides are borrowed)

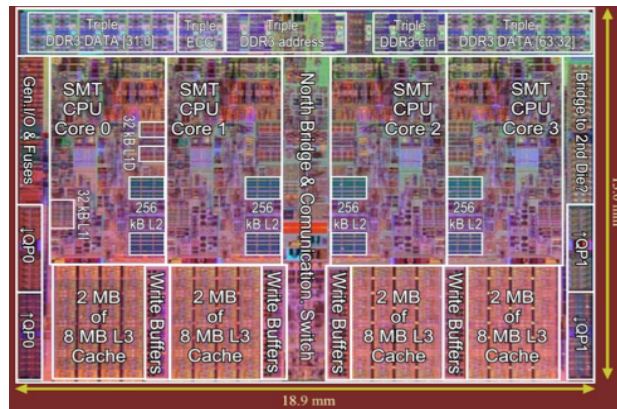
## Inside the Processor

### ■ AMD Barcelona: 4 processor cores



## Multilevel On-Chip Caches

Intel Nehalem 4-core processor



Per core: 32KB L1 I-cache, 32KB L1 D-cache, 512KB L2 cache

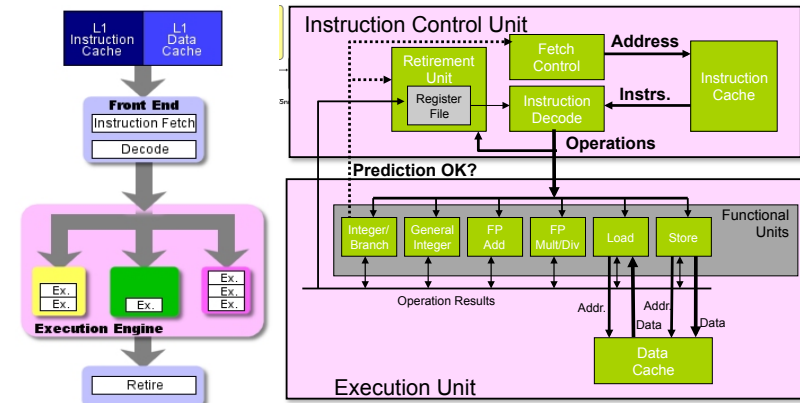
§5.10 Real Stuff: The AMD Opteron X4 and Intel Nehalem



### Internal architecture of Intel P6 processors

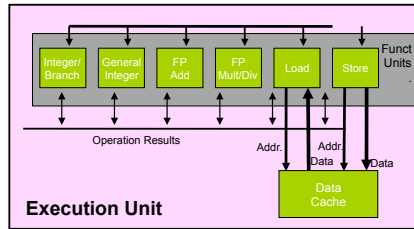


*Note: "Intel P6" is the common march name for PentiumPro, Pentium II & Pentium III, which inspired Core and Nehalem*



## Some capabilities of Intel P6

- Parallel execution of several instructions
  - 2 integer (1 can be branch)
  - 1 FP Add
  - 1 FP Multiply or Divide
  - 1 load
  - 1 store



- Some instructions require > 1 cycle, but can be pipelined:

Instruction	Latency	Cycles/Issue
Load / Store	3	1
Integer Multiply	4	1
Integer Divide	36	36
Double/Single FP Multiply	5	2
Double/Single FP Add	3	1
Double/Single FP Divide	38	38

## A detailed example: generic & abstract form of combine

```
void abstract_combine4(vec_ptr v, data_t *dest)
{
    int i;
    int length = vec_length(v);
    data_t *data = get_vec_start(v);
    data_t t = IDENT;
    for (i = 0; i < length; i++)
        t = t OP data[i];
    *dest = t;
}
```

- Procedure to perform addition
  - compute the sum of all vector elements
  - store the result in a given memory location
  - structure and operations on the vector defined by ADT
- Metrics
  - Clock-cycles Per Element, **CPE**

## Converting instructions with registers into operations with tags

- Assembly version for `combine4`

- data type: *integer*; operation: *multiplication*

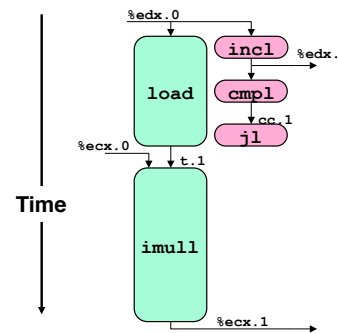
```
.L24:
imull (%eax,%edx,4),%ecx # t *= data[i]
incl %edx # i++
cpl %esi,%edx # i:length
jl .L24 # if < goto Loop
```

- Translating 1<sup>st</sup> iteration

```
.L24:
imull (%eax,%edx,4),%ecx
```

```
load (%eax,%edx.0,4) → t.1
imull t.1, %ecx.0 → %ecx.1
incl %edx.0 → %edx.1
cpl %esi, %edx.1 → cc.1
jl -taken cc.1
```

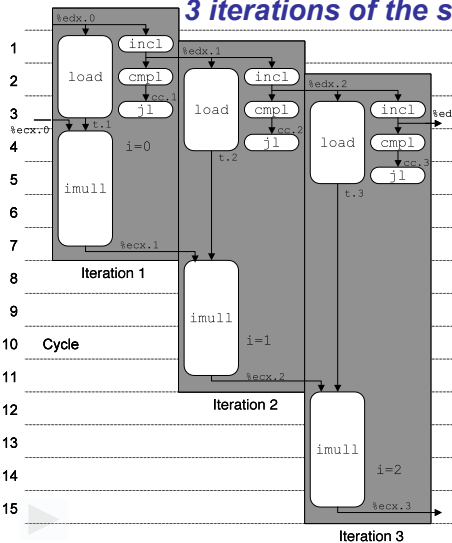
## Visualizing instruction execution in P6: 1 iteration of the multiplication cycle on `combine`



```
load (%eax,%edx.0,4) → t.1
imull t.1, %ecx.0 → %ecx.1
incl %edx.0 → %edx.1
cpl %esi, %edx.1 → cc.1
jl -taken cc.1
```

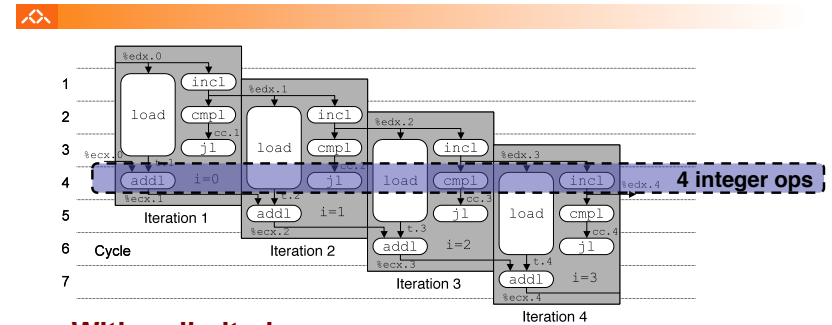
- Operations
  - vertical axis shows the time the instruction is executed
    - an operation cannot start with its operands
  - time length measures latency
- Operands
  - arcs are only showed for operands that are used in the context of the execution unit

### Visualizing instruction execution in P6: 3 iterations of the same cycle on *combine*



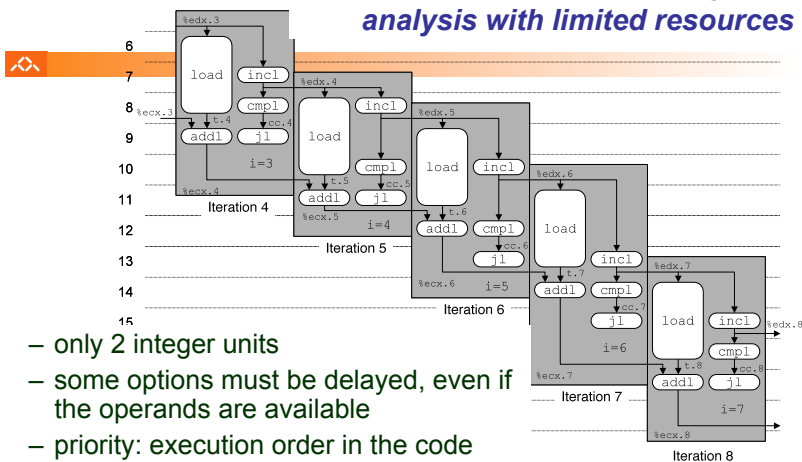
- With unlimited resources
  - parallel and pipelined execution of operations at the EU
  - out-of-order and speculative execution
- Performance
  - limitative factor: latency of integer multiplication
  - CPE: 4.0

### Visualizing instruction execution in P6: 4 iterations of the addition cycle on *combine*



- With unlimited resources
- Performance
  - it can start a new iteration at each clock cycle
  - theoretical CPE: 1.0
  - it requires parallel execution of 4 integer operations

### Iterations of the addition cycles: analysis with limited resources



- only 2 integer units
- some options must be delayed, even if the operands are available
- priority: execution order in the code
- Performance
  - expected CPE: 2.0

### Machine dependent optimization techniques: loop unroll (1)

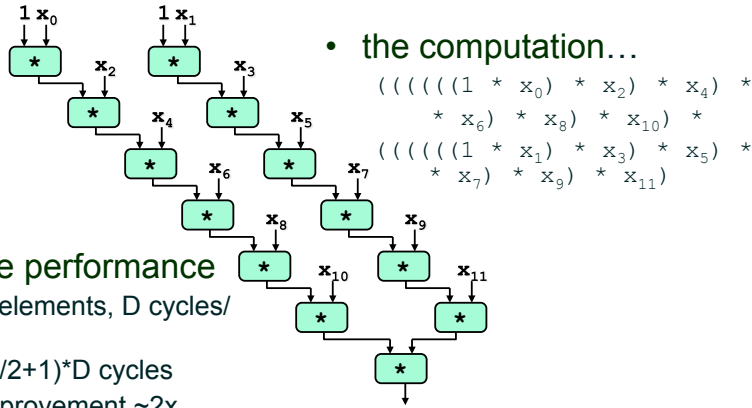
```
void combine5(vec_ptr v, int *dest)
{
    int length = vec_length(v);
    int limit = length-2;
    int *data = get_vec_start(v);
    int sum = 0;
    int i;
    /* junta 3 elem's no mesmo ciclo */
    for (i = 0; i < limit; i+=3) {
        sum += data[i] + data[i+1]
            + data[i+2];
    }
    /* completa os restantes elem's */
    for (; i < length; i++) {
        sum += data[i];
    }
    *dest = sum;
}
```

- #### Optimization 4:
- merges several (3) iterations in a single loop cycle
  - reduces cycle overhead in loop iterations
  - runs the extra work at the end
  - CPE: 1.33



Machine dependent optimization techniques:  
... versus parallel computation

Sequential ... versus parallel computation!



... the performance

- N elements, D cycles/op
- (N/2+1)\*D cycles
- improvement ~2x

Machine dependent optimization techniques:  
loop unroll with parallelism (1)

... versus parallel!

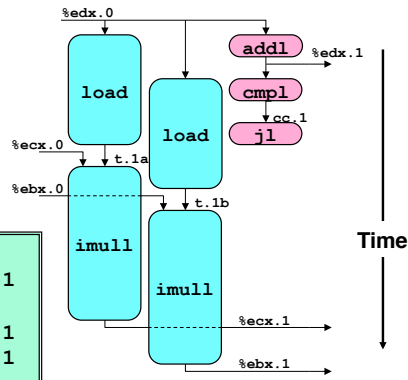
```
void combine6(vec_ptr v, int *dest)
{
    int length = vec_length(v);
    int limit = length-1;
    int *data = get_vec_start(v);
    int x0 = 1;
    int x1 = 1;
    int i;
    /* junta 2 elem's de cada vez */
    for (i = 0; i < limit; i+=2) {
        x0 *= data[i];
        x1 *= data[i+1];
    }
    /* completa os restantes elem's */
    for (; i < length; i++) {
        x0 *= data[i];
    }
    *dest = x0 * x1;
}
```

Optimization 5:

- accumulate in 2 different products
  - can be in parallel, if OP is associative!
- merge at the end
- Performance
  - CPE: 2.0
  - improvement 2x

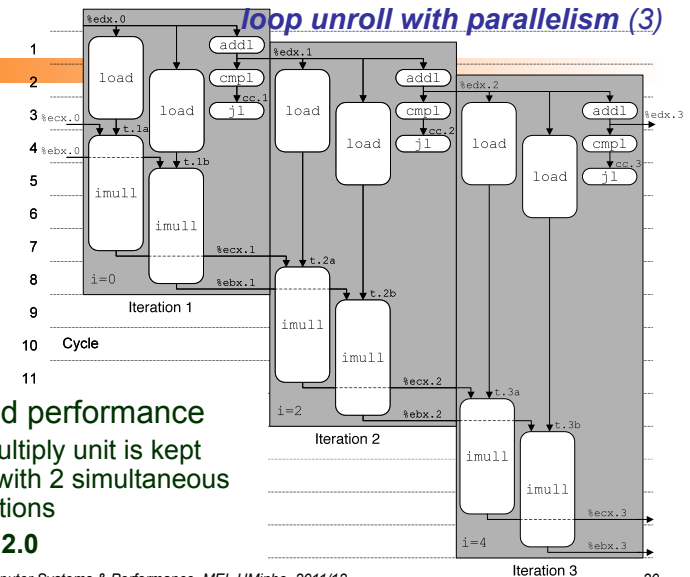
Machine dependent optimization techniques:  
loop unroll with parallelism (2)

- each product at the inner cycle does not depend from the other one...
- so, they can be pipelined
- known as iteration splitting



```
load (%eax,%edx.0,4) → t.1a
imull t.1a, %ecx.0 → %ecx.1
load 4(%eax,%edx.0,4) → t.1b
imull t.1b, %ebx.0 → %ebx.1
iaddl $2,%edx.0 → %edx.1
cmpl %esi,%edx.1 → cc.1
jl-taken cc.1
```

Machine dependent optimization techniques:  
loop unroll with parallelism (3)



Estimated performance

- the multiply unit is kept busy with 2 simultaneous operations
- CPE: 2.0

Method	Integer		Real (single precision)	
	+	*	+	*
Abstract -g	42.06	41.86	41.44	160.00
Abstract -O2	31.25	33.25	31.25	143.00
Move vec_length	20.66	21.25	21.15	135.00
Access to data	6.00	9.00	8.00	117.00
Accum. in temp	2.00	4.00	3.00	5.00
Unroll 4x	1.50	4.00	3.00	5.00
Unroll 16x	1.06	4.00	3.00	5.00
Unroll 2x, paral. 2x	1.50	2.00	2.00	2.50
Unroll 4x, paral. 4x	1.50	2.00	1.50	2.50
Unroll 8x, paral. 4x	1.25	1.25	1.50	2.00
Theoretical Optimiz	1.00	1.00	1.00	2.00
Worst : Best	39.7	33.5	27.6	80.0

- It requires a lot of registers!
  - to save results from add/multipl
  - only 6 integer registers in IA32
    - also used as pointers, loop control, ...
  - 8 fp registers
  - when registers aren't enough, temp's are pushed to the stack
    - cuts performance gains (see assembly in integer product with 8x unroll & 8x parallelism)
  - re-naming registers is not enough
    - it is not possible to reference more operands than those at the instruction set
    - ... main drawback at the IA32 instruction set
- Operations to parallelize must be associative!
  - fp add & multipl in a computer is not associative!
    - $(3.14+1e20)-1e20$  not always the same as  $3.14+(1e20-1e20)$ ...

Limitation of parallelism:  
not enough registers

Last week homework

- **combine**
  - integer multiplication
  - 8x unroll & 8x parallelism
  - 7 local variables share 1 register (%edi)
    - note the stack accesses
    - performance improvement is compromised...
    - consequence: register spilling

```
.L165:
    imull (%eax), %ecx
    movl -4(%ebp), %edi
    imull 4(%eax), %edi
    movl %edi, -4(%ebp)
    movl -8(%ebp), %edi
    imull 8(%eax), %edi
    movl %edi, -8(%ebp)
    movl -12(%ebp), %edi
    imull 12(%eax), %edi
    movl %edi, -12(%ebp)
    movl -16(%ebp), %edi
    imull 16(%eax), %edi
    movl %edi, -16(%ebp)
    ...
    addl $32, %eax
    addl $8, %edx
    cmpl -32(%ebp), %edx
    j1 .L165
```

The problem:

- To identify all AMD and Intel processor microarchitectures from Hammer and Core till the latest releases, and build a table with:
  - # pipeline stages, # simultaneous threads, degree of superscalarity, vector support, # cores, type/speed of interconnectors,...
- To identify the CPU generations at the SeARCH cluster

Expected table headings:

µArch	Name	Year	Pipeline Stages	Issue Width	Vector Support	Cores	Interface
-------	------	------	-----------------	-------------	----------------	-------	-----------

Example of a CPU generation at the cluster:

5<sup>a</sup>: Clovertown E5345 (4c, Core w/o HT, 2x4MB L2, 65nm, 2.33GHz)